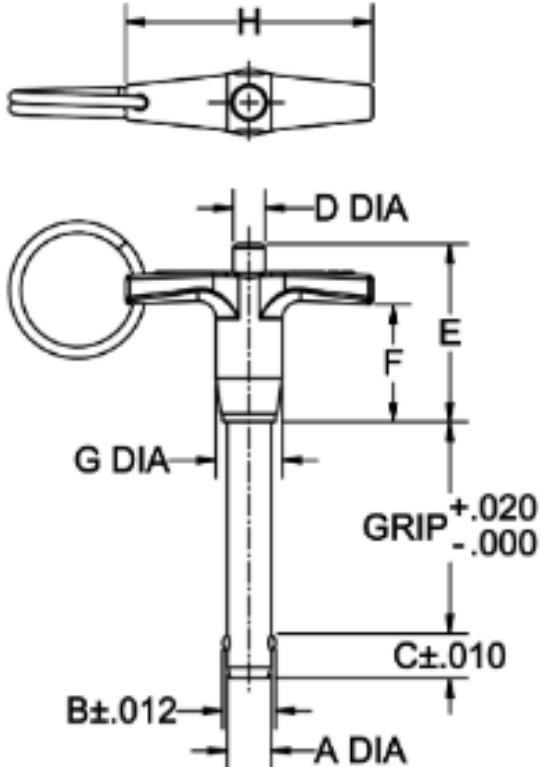


Ball Lock Pins (T Handle)

Alignment Pins

Ball Lock Pins are high-strength, quick-release alignment pins with a precision ground shank. These standard single-acting Ball Lock Pins are positive locking until released by pushing the button, which moves the center spindle forward to allow the locking balls to retract. The T-handle version shown here is one of four available handle styles. Made in USA.

Available in pin diameters from 3/16 to 1" (5 to 20mm in metric), in alloy steel or stainless steel. Standard grip lengths for each diameter and material are listed in the tables below, most in stock for same-day shipment. Ball Lock Pins with special grip lengths up to 12" (300mm) and other special features can be quickly made to order. The Part Configurator link at the top of this page can be used for any BLP Ball Lock Pin, either standard or special.



BASIC PART NO.	A DIA NOMINAL (mm)	A DIA ACTUAL (mm)	B (mm)	C (mm)	D DIA (mm)	E (mm)	F (mm)	G DIA (mm)	H (mm)
CLM-5-BLPT	5	4.96 / 4.92	5.38	6.22	5.5	32	20	12	44.5
CLM-6-BLPT	6	5.96 / 5.92	7.06	6.99	5.5	32	20	12	44.5
CLM-8-BLPT	8	7.96 / 7.92	9.42	8.00	5.5	32	20	12	44.5
CLM-10-BLPT	10	9.96 / 9.92	11.91	8.89	7	37.5	24	15	51
CLM-12-BLPT	12	11.96 / 11.92	14.40	11.30	7	37.5	24	15	51
CLM-16-BLPT	16	15.96 / 15.92	19.00	14.35	12.5	46	27	23.5	76
CLM-20-BLPT	20	19.96 / 19.92	24.08	20.19	12.5	46	27	23.5	76

For full specifications, click [here](#).