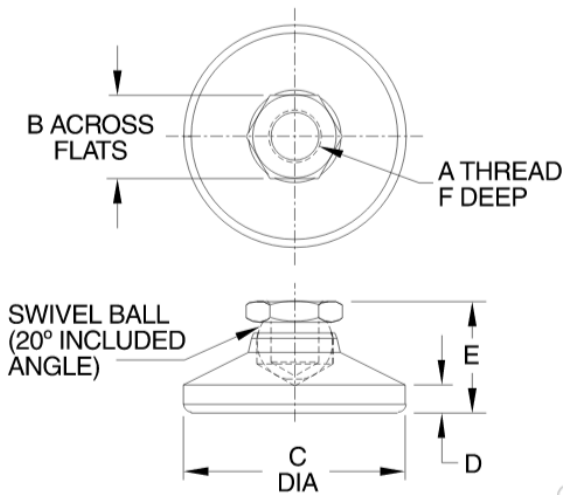


Leveling Feet (Steel, Black Oxide Finish)

Supports, Rests & Feet

High-quality, heavy-duty leveling foot with a large-diameter pad. Large swivel ball provides high load capacity with a 20° total swivel angle. Available with tapped-hole sizes from #10-32 to 1"-8 (M6 to M20 in metric). Made in USA.



PART NO.	LOAD RATING (kg)	A THREAD	THREAD PITCH (mm)	B (mm)	C DIA (mm)	D (mm)	E (mm)	F (mm)
CLM-6-LF-BO	400	M6	1	13	25.5	4	18	8
CLM-8-LF-BO	700	M8	1.25	13	28.5	4.8	20.5	9.5
CLM-10-LF-BO	1200	M10	1.5	17	32	5	22	10.5
CLM-12-LF-BO	1700	M12	1.75	19	47.5	6.5	28.5	12.5
CLM-16-LF-BO	3300	M16	2	24	63.5	8	32	12.5
CLM-20-LF-BO	5000	M20	2.5	30	76	12.5	38	16

For full specifications, click [here](#).