

**WDS**



## **Plain Bearing Steel Universal Joint (WDS 553)**

Steel Plain Bearing Universal Joints suitable for manual drives on platforms, slides, shutters etc.

### **MATERIAL**

Joint yokes = 530M40 Alloy steel locally hardened and tempered around the bearings.

Spider pins = 708M20 Molybdenum Chrome steel hardened and tempered.

Plain Bearing

F1 = Max Torque (Nm)

F2 = Static Torque (Nm)

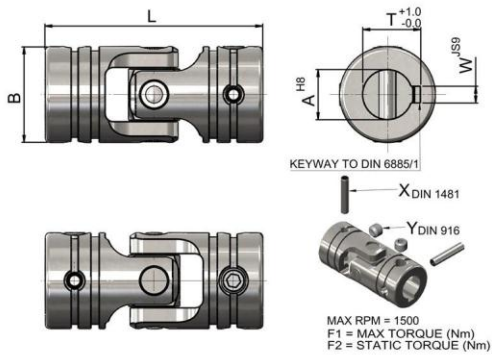
X - Dowel pin DIN 1481 (2 off supplied)

Y - Screw DIN 916 (2 off supplied)

**Pactumax International Pte Ltd**

39, Kaki Bukit View, Singapore 415968, Tel: 65 6482 5006, Fax: 65 6482 5703

Email: [sales@pactumax.com](mailto:sales@pactumax.com), Website: [www.pactumax.com](http://www.pactumax.com)



WDS No.	A	B	L	W	T	X	Y	F1	F2	Suits Gaiter No.	Max Rating RPM	Weight
553-208	8	16	36	2	9	4x14	M4x4	10	33	554-016	1500	0.04
553-210	10	20	42	3	11.4	4x18	M4x5	25	70	554-020	1300	0.07
553-212	12	23	52	4	13.8	4x20	M6x5	45	130	554-023	1100	0.11
553-216	16	30	74	5	18.3	5x28	M6x6	100	262	554-030	900	0.26
553-220	20	36	87	6	22.8	6x35	M6x8	150	463	554-036	700	0.43
553-225	25	44	105	8	28.3	8x40	M8x8	300	954	554-044	600	0.77